



**Tamper Evident  
PAIL # 61948 / LID # 60337**

**TECHNICAL DATA**

**Capacity under lid:**  
19.90 L / 5.25 US gal.  
**Wall thickness:**  
Pail: (0.070 in.)  
Lid: (0.060 in.)

**Material:** Pail: PP  
Lid: HDPE

**Thermal range:** 0°C (32°F) to 90°C (194°F)

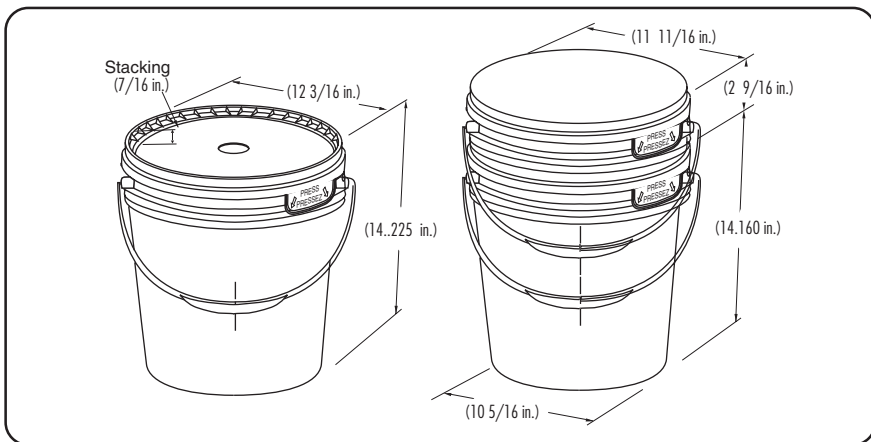
**Standard color :** white  
Other colors upon request

**Weight (approx.) without handle or gasket:**

**Pail:** (690 g) 24.3 oz

**Lid:** (156 g) 5.5 oz

**Handle:** metal (with plastic grip)



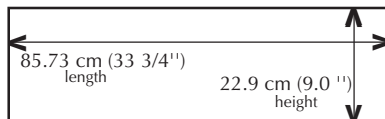
(Materials are recyclable or can be recovered for energy)

**TOP LOADING RESISTANCE**

**125 kg (275 lb)** at 23°C / 73°F, 30 days. Product temperature when filling pails and warehouse temperature will affect pail performance. IPL recommends to make necessary testing prior to full production.

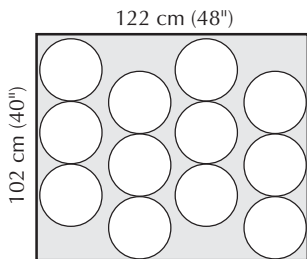
**PRINTING UP TO 6 colors DRY OFFSET**

PAIL



**PALLETIZATION OF FILLED PAIS**

To determine the number of pails you can stack according to the product packed, divide the top loading resistance by the total weight of one filled pail. Take that number not rounded up and add the first unit



12 pails per layer

**Stacked pails recommendation:**  
3 pails high / pallet

**RECOMMENDATIONS**

- Do not exceed pallet edges with pails
- Staggered pattern is recommended for greater stability
- Double faced pallets with close together boards on both sides are recommended for best results
- To improve stability, release air from pail when putting the lid
- Stretch wrapping machine tension should be adjusted to pail
- Use slip-sheet to improve pails stability if necessary

**OPENING AND CLOSING**

**TO OPEN:** Break the Tamper-Evident tab, then remove lid.

**TO CLOSE:** Snap the lid at break tab area first, then follow all around while releasing air by pressing the center of the lid to burp pail. If using a closing device, use proper burping pads.

Fillers, lid, pail denesters and lidding devices are also available in a variety of combinations. Everything can be seen on brochures and video tape. Live demonstration on site can be done on demand.

**PACKAGING OF EMPTY PAIS/LIDS**

WAREHOUSING OF EMPTY PAIS: 2 pallets high in warehousing

Approved by: *Stéphane Mesquin*

**Approvals:** ..... Virgin materials are approved for food contact and meet FDA (Food and Drug Administration USA) and HPB (Health Protection Branch Canada) regulations.

**Advice:** ..... Handling conditions vary a lot from customer to customer, tests are recommended throughout the process of denesting, filling, conveying, palletization, warehousing, transportation and utilization by end users, etc. Specifications can be modified without notice. Please contact your IPL representative to confirm these data.

**Quality Assurance:**.. IPL is ISO 9001 certified and quality procedures are documented in our quality system.

**IPL PRODUCTS, LTD.**  
640 Lincoln Street  
Worcester, MA 01605  
Tel.:(508)351-6050 Fax.:(508)351-6044  
Toll free: 1-800-818-1318

**IPL INC.**  
140 Commerciale  
St-Damien, QC  
Canada G0R 2Y0  
Tel : (418) 789-2880  
Fax : (418)789-3153  
Toll free: 1-800-463-0270 Ext. 299

**Web Site**  
[www.ipl-packaging.com](http://www.ipl-packaging.com)

