

CONTAINER #63330

LID #63329

ONLY 4 productions per year: February, May, August, November



TECHNICAL DATA

Capacity under lid:

9.88 L / 2.61 US gal.

Wall thickness:

Container: (0.053 in.) 0.13 cm

Lid: (0.038 in.) 0.09 cm

Material: Container: HDPE

Lid: PP

Thermal range: 0°C (32°F) to 90°C (194°F)

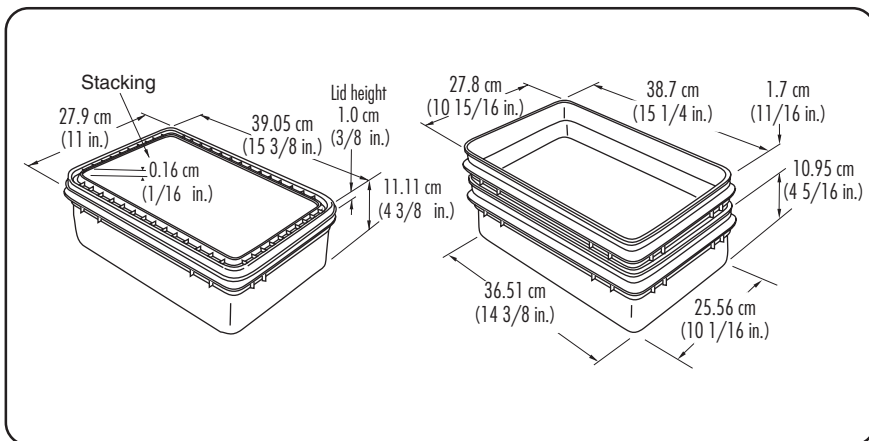
Standard color : natural

Other colors upon request

Weight (approx.):

Container: (300 g) 10.58 oz

Lid: (120 g) 4.23 oz



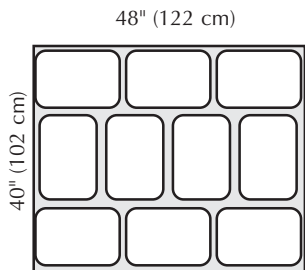
(Materials are recyclable or can be recovered for energy)

TOP LOADING RESISTANCE

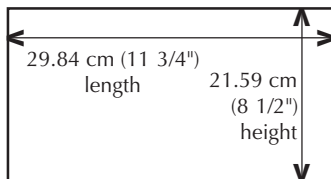
32 kg (70 lb) at 23°C / 73°F, 30 days. Product temperature when filling containers and warehouse temperature will affect pail performance. IPL recommends to make necessary testing prior to full production.

PRINTING UP TO 4 COLORS, DRY OFFSET (LID ONLY)

PALLETIZATION OF FILLED PAILS



10 containers per layer



OPENING AND CLOSING

TO OPEN: Gradually lift the lip of the lid all around the container.

TO CLOSE: Align lid on container, then press all the way around.

PACKAGING OF EMPTY PAILS/LIDS

WAREHOUSING OF EMPTY CONTAINERS: 1 pallet - 3 bundles
 No double stacking. Racking recommended.

Approved by: *[Signature]*

Approvals: Virgin materials are approved for food contact and meet FDA (Food and Drug Administration USA) and HPB (Health Protection Branch Canada) regulations.

Advice: Handling conditions vary a lot from customer to customer, tests are recommended throughout the process of denesting, filling, conveying, palletization, warehousing, transportation and utilization by end users, etc. Specifications can be modified without notice. Please contact your IPL representative to confirm these data.

Quality Assurance:.. IPL is ISO 9001 certified and quality procedures are documented in our quality system.

USA
IPL PRODUCTS, LTD.
 640 Lincoln Street
 Worcester, MA 01605
 Tel.:(508)351-6050 Fax.:(508)351-6044
 Toll free: 1-800-818-1318

Canada
IPL INC.
 140 Commerciale
 St-Damien, QC
 Canada G0R 2Y0
 Tel : (418) 789-2880
 Fax : (418)789-3153
 Toll free: 1-800-463-0270 Ext. 299

Web Site
www.ipl-packaging.com

