



BARREL  
# 61626

LID # 63351  
Aluminium ring # 67014

## TECHNICAL DATA

**Capacity under lid:**

62.4 L / 16.48 US gal.

**Wall thickness:**

Barrel: (0.112 in.)

Lid: (0.110 in.)

**Materials:** HDPE

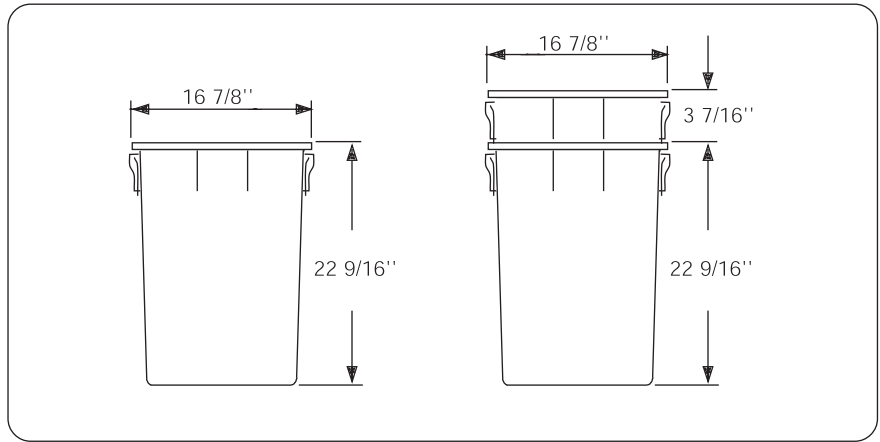
**Thermal range:**

-38 C (-36 F) to 82 C (180 F)

**Standard color :** white.

Other colors upon request

**Metal handle made of 5 gauge  
galvanized steel**

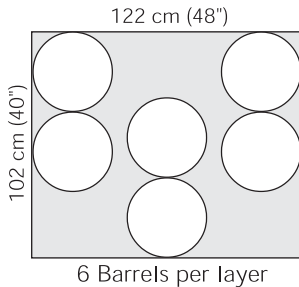


(Materials are recyclable or can be recovered for energy)

## TOP LOADING RESISTANCE

**187 kg (412 lb.)** at 23 C [73 F], 30 days. Product temperature when filling barrels and warehouse temperature will affect barrel performance. IPL recommends to make necessary testing prior to full production.

## PALLETIZATION OF FILLED BARRELS



**Stacked barrel recommendation:  
3 barrels high / pallet**

### RECOMMENDATIONS

- Do not exceed pallet edges with barrels
- Staggered pattern is recommended for greater stability
- Double faced pallets with close together boards on both sides are recommended for best results
- Stretch wrapping machine tension should be adjusted to barrel

Approved by: *Stéphane Mercier*

**Approvals:** ..... Virgin materials are approved for food contact and meet FDA (Food and Drug Administration USA) and HPB (Health Protection Branch Canada) regulations.

**Advise:** ..... Handling conditions vary a lot from customer to customer, tests are recommended throughout the process of denesting, filling, conveying, palletization, warehousing, transportation and utilization by end users, etc. Specifications can be modified without notice. Please contact your IPL representative to confirm these data.

**Quality Assurance:** IPL is ISO 9001 certified and quality procedures are documented in our quality system



**USA**  
IPL PRODUCTS, LTD.  
640 Lincoln Street  
Worcester, MA 01605  
Tel.: (508)351-6050 Fax.: (508)351-6044  
Toll free: 1-800-818-1318

**Canada**  
IPL INC.  
140 Commerciale  
St-Damien, QC  
Canada G0R 2Y0  
Tel : (418) 789-2880  
Fax : (418) 789-3153  
Toll free: 1-800-463-0270 Ext. 299

**Web Site**  
[www.ipl-packaging.com](http://www.ipl-packaging.com)