



**Shure-Lock™**  
**CONTAINER # 22585**  
**LID # 20085**

**TECHNICAL DATA**

**Capacity under lid :**

0.260 L / 9.15 US oz.

**Wall thickness (approx.) :**

Container: 0.57 mm (0.0225 in.)

Lid: 0.62 mm (0.024 in.)

**Thermal range :** 0 °C (32 °F) to  
 82 °C (180 °F)

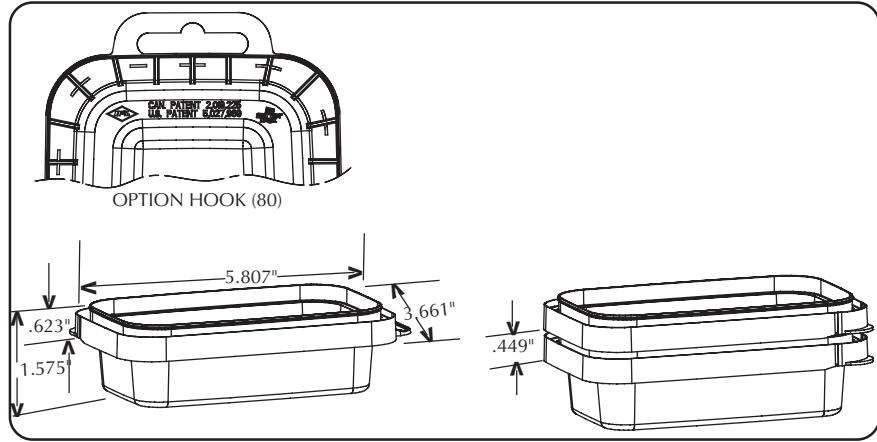
**Materials :** Container: polypropylene  
 Lid: polypropylene

**Standard colors :** clear, natural and white  
 other colors upon request

**Weight (approx.) :**

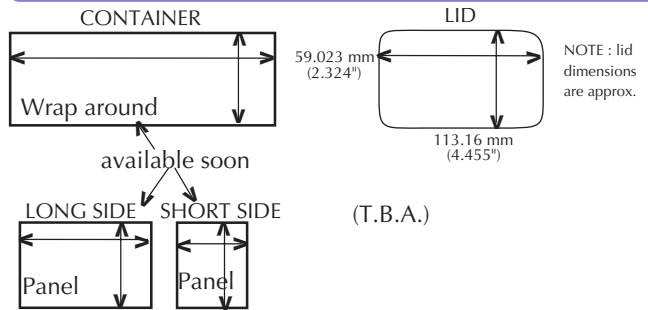
Container: 20.3 g (0.72 oz.)

Lid: 9.5 g (0.34 oz.)



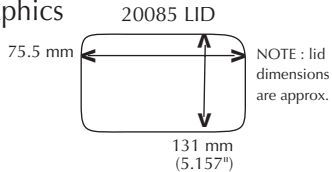
(Materials are recyclable or can be recovered for energy)

**PRINTING up to 8 colors for containers DRY OFFSET**  
**up to 6 colors for lids.**



**IN MOLD LABELING (LIDS ONLY)**

In mold labeling process  
 Can be used for rich graphics



**RECOMMENDATIONS**

- IPL recommends to make necessary testing prior to full production.
- Staggered pattern is recommended for greater stability.
- Double faced pallets with close together boards on both sides are recommended for best results.
- To improve stability, release air from container when putting the lid.

**OPENING AND CLOSING**

**TO OPEN:** Break the Tamper-Evident tab, then remove lid.  
**TO CLOSE:** Snap the lid at short side area first, then follow all around while releasing air by pressing the center of the lid to burp container. If using a closing device, use proper burping devices.

Fillers, lid, pail denesters and lidding devices are also available in a variety of combinations. Everything can be seen on brochures and video tape. Live demonstration on site can be done on demand.

**PACKAGING OF EMPTY CONTAINERS/LIDS**

No double stacking, racking recommended.

Approved by: *[Signature]*

**Approvals:** ..... Virgin materials are approved for food contact and meet FDA (Food and Drug Administration USA) and HPB (Health Protection Branch Canada) regulations.

**Advise:** ..... Handling conditions vary a lot from customer to customer, tests are recommended throughout the process of denesting, filling, conveying, palletization, warehousing, transportation and utilization by end users, etc. Specifications can be modified without notice. Please contact your IPL representative to confirm these data.

**Quality Assurance:** . IPL is ISO 9001 certified and quality procedures are documented in our quality system



**IPL Plastics Ltd.**  
 20 Boyd Street  
 P.O. Box 213  
 Edmundston, NB  
 Canada E3V-3K8  
 Tel : (506) 739-9559  
 Fax : (506) 739-6185  
 Toll free (Service): 1-800-739-9595

**IPL PRODUCTS, LTD.**  
 640 Lincoln Street  
 Worcester, MA 01605  
 Tel.:(508)351-6050 Fax.:(508)351-6044  
 Toll free: 1-800-818-1318

**Web Site**  
**www.ipl-packaging.com**