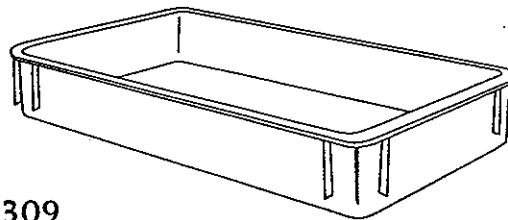


# FC BOX

## 40 litres



N° 63309

### COMPONENTS

Material : high density polyethylene  
Standard colours : white or grey  
Other colours on request (minimal quantity : 2,000)

### WALL THICKNESS

0.36 cm (0.140 in.)

### STANDARD WEIGHT

(± 2%)  
2.41 kg ( 5.3 lb.)

### RATIO

Stacking 1.13 : 1

### PACKING

#### SHIPPING

Pallet dimensions :  
124 cm x 107 cm x 224 cm h.  
49 in. x 42 in. x 88 in. h.  
Volume/pallet : 3 m<sup>3</sup> (105 ft.<sup>3</sup>)  
Weight/pallet (pallet not included) :  
101 kg (223 lb.)  
Quantity/pallet : 42  
Quantity/truck : 966

**Note :** All pallets are stretch-wrapped to protect boxes from dust.

### RECOMMENDED UTILIZATION

Pallet dimensions :  
122 cm x 102 cm x 135 cm h.  
48 in. x 40 in. x 53 in. h.  
Quantity/pallet : 24  
(8 rows of 3)

**Note :** Never let boxes overlap edge of pallet.

### TOP LOADING RESISTANCE

23 °C (73 °F), 30 days  
414 kg (911 lb.)

### THERMAL RESISTANCE

From -40°C (-40°F)  
to 39°C (102°F)

### APPROVALS

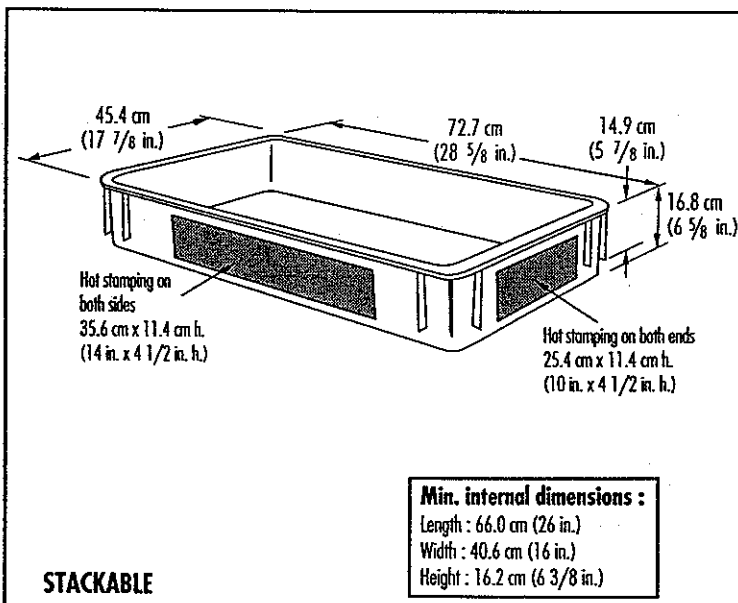
Materials are food approved and meet FDA (Food & Drug Administration-USA) and HPB (Health Protection Branch-Canada) standards.  
Made accordingly to SPC (Statistical Process Control) standards.

### CAPACITIES

Volume	Litres	Gallons	
		imp.	US
Full	44.70	9.83	11.81
In use	40.13	8.83	10.60

PRODUCT DENSITY g / cm <sup>3</sup>	MAXIMUM WEIGHT HANDLED	
	kg	lb.
0.5	20.07	44.24
0.6	24.08	53.08
0.7	28.09	61.93
0.8	32.10	70.78
0.9	36.12	79.62
1.0	40.13	88.47
1.1	44.14	97.32
1.2	48.16	106.16
1.3	52.17	115.01
1.4	56.18	123.86
1.5	60.20	132.71

### DIMENSIONS



### SECURE RECOMMENDED

WEIGHT / BOX : 41 kg (90 lb.)

### IPL INC.

#### HEAD OFFICE

140 Commerciale Street  
St. Damien, Quebec  
G0R 2Y0  
Tel. : (418) 789-2880  
Wat (Quebec) : (800) 463-7083  
Wat (Ontario & Maritimes) : (800) 463-7092  
Fax : (418) 789-3153

### BRANCHES

<b>TORONTO</b> 111 Advance Blvd. Brampton, Ontario L6T 4H8 Tel. : (416) 791-5895 Fax : (416) 791-2500	<b>MONCTON</b> 700 Malenfant Street Dieppe, New Brunswick E1A 5V8 Tel. : (506) 857-8210 Fax : (506) 859-8790
--	---

### USA SUBSIDIARY

#### IPL PRODUCTS, LTD.

**BOSTON**  
859 Turnpike Street  
North Andover  
MA 01845  
Tel. : (508) 683-7668  
Fax : (508) 683-7571

#### BRANCH

**DETROIT**  
7922 Siding Court  
Grosse Ile  
MI 48138  
Tel. : (313) 671-0121  
Fax : (313) 671-0121



TOTAL SERVICE

91-04