

TP95-520 - 23054

Round container with safety closure, transparent

Product specifications

Material:	PP
Volume:	520,0 ml
Weight:	19,6 gr
Length:	
Width:	
Height:	116,6 mm



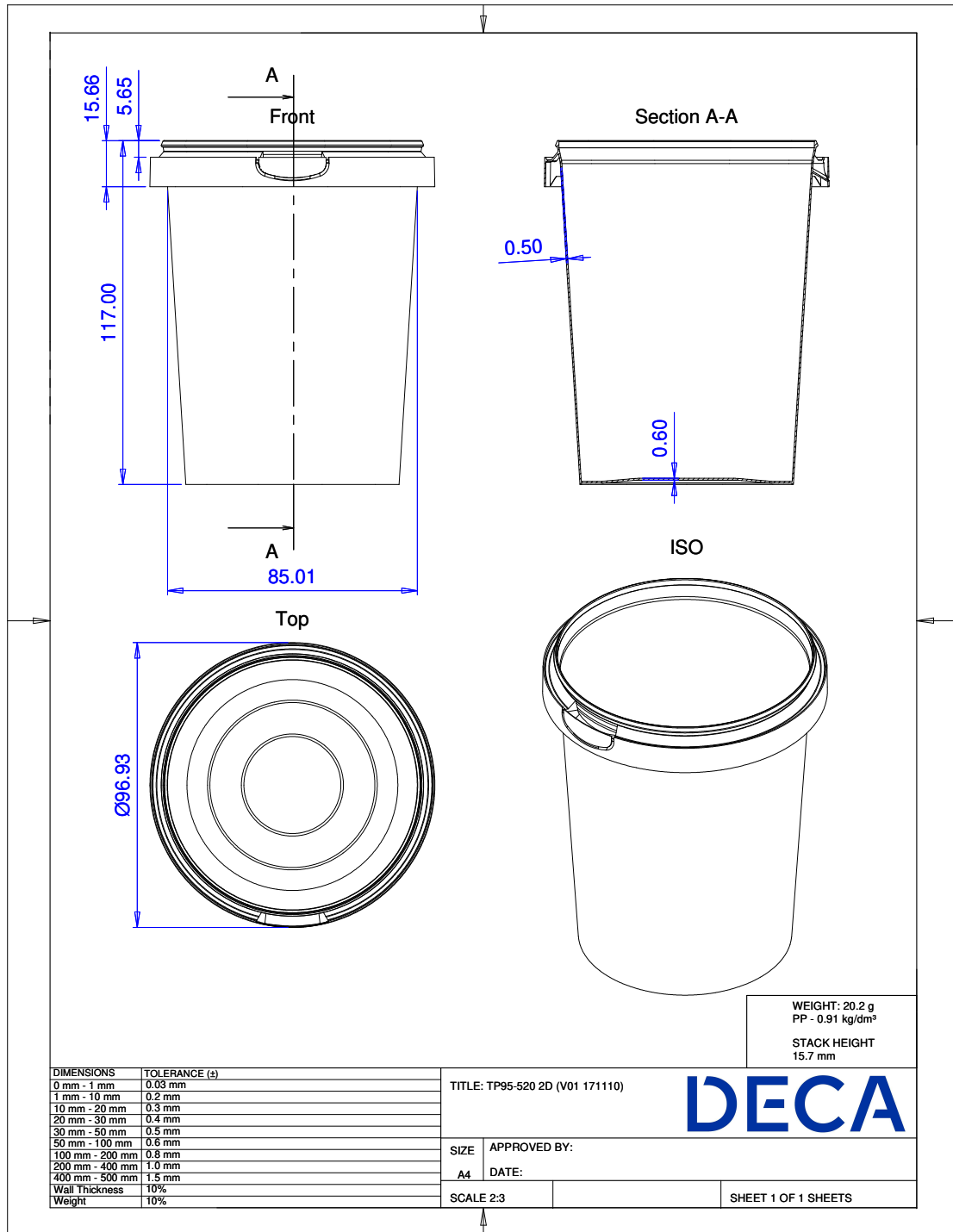
Packaging

Primary:	Blue bag for TP/TPS/Tray/Neutral box # in primary packaging: 456 pieces
Secondary:	Carton Deca TP 585, 400x600x400 # primary in secondary packaging: 1 piece Weight gross: 9918,4 gr
Tertiary:	Europallet, 150x1200x800 # in tertiary packaging: 20 boxes = 9.120 pieces Weight gross: 218.368 gr Standard height: 2.075 mm

Uses / Certificates

Storage conditions:	Keep out of direct sunlight, keep dry, store in original closed packaging, at ambient temperature, relative humidity between 40 and 70%.
Expiration:	We recommend to use the products within 1 year after purchase. We can not be held responsible for use after this period.
Document retention:	3 years after purchase

All our products adhere to Regulation (EC) 1935/2004 and Regulation (EU) 10/2011 incl. amendments.



All our products adhere to Regulation (EC) 1935/2004 and Regulation (EU) 10/2011 incl. amendments.