

# TP69-D - 28429

Round lid, transparent

## Product specifications

Material: PP

Volume:

Weight:

Length:

Width:

Height:



## Packaging

Primary: Blue bag for TP/TPS/Tray/Neutral box  
# in primary packaging: 7488 pieces

Secondary: Carton Deca TP 585, 400x600x400  
# primary in secondary packaging: 1 piece  
Weight gross: 13560,64 gr

Tertiary: Europallet, 150x1200x800  
# in tertiary packaging: 20 boxes = 149.760 pieces  
Weight gross: 291.212,8 gr  
Standard height: 2.075 mm

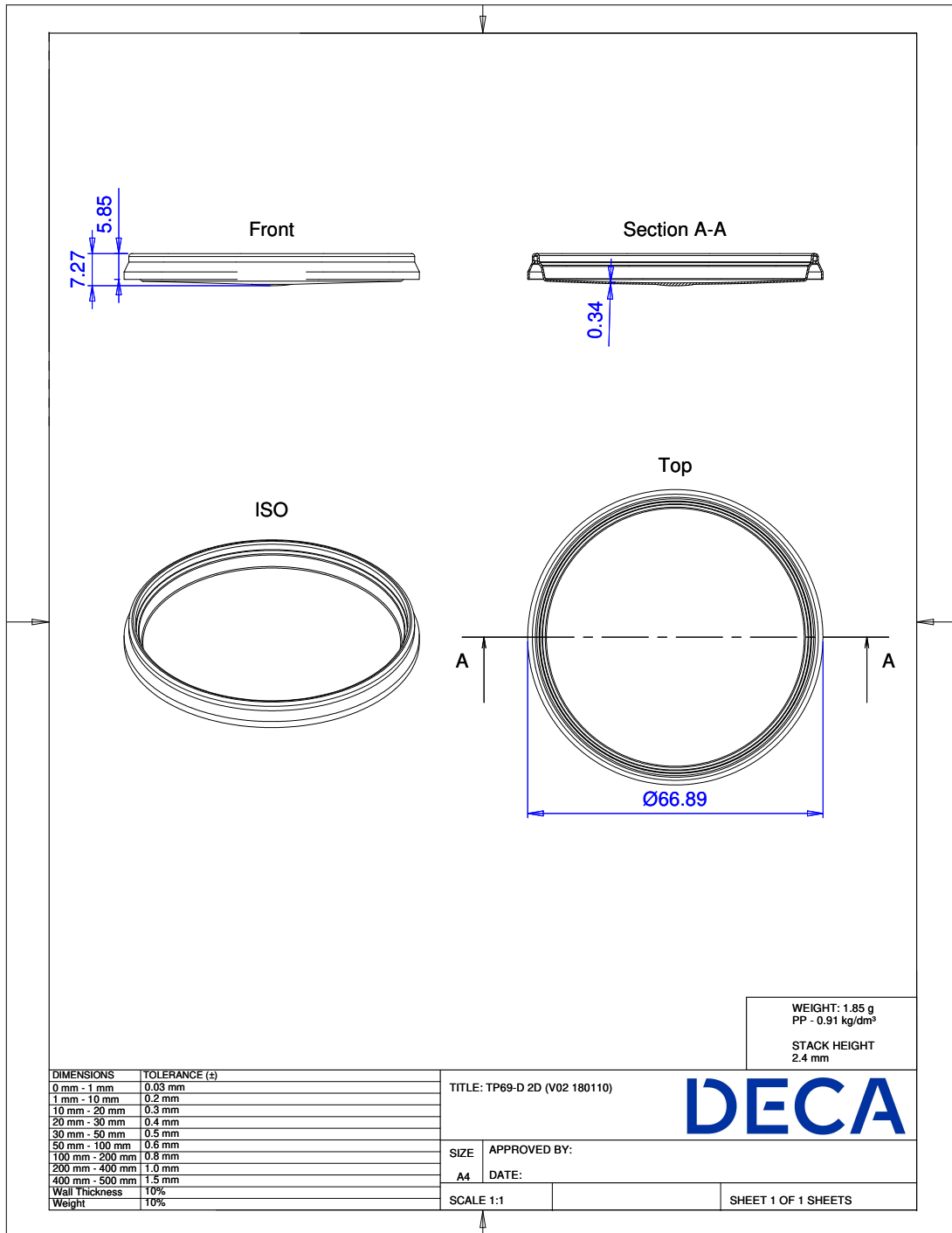
## Uses / Certificates

Storage conditions: Keep out of direct sunlight, keep dry, store in original closed packaging, at ambient temperature, relative humidity between 40 and 70%.

Expiration: We recommend to use the products within 1 year after purchase. We can not be held responsible for use after this period.

Document retention: 3 years after purchase

All our products adhere to Regulation (EC) 1935/2004 and Regulation (EU) 10/2011 incl. amendments.



All our products adhere to Regulation (EC) 1935/2004 and Regulation (EU) 10/2011 incl. amendments.