

# TPR1912-D - 25701

Rectangular lid, transparent

## Product specifications

Material:	PP
Volume:	
Weight:	15,7 gr
Length:	192 mm
Width:	126 mm
Height:	8 mm



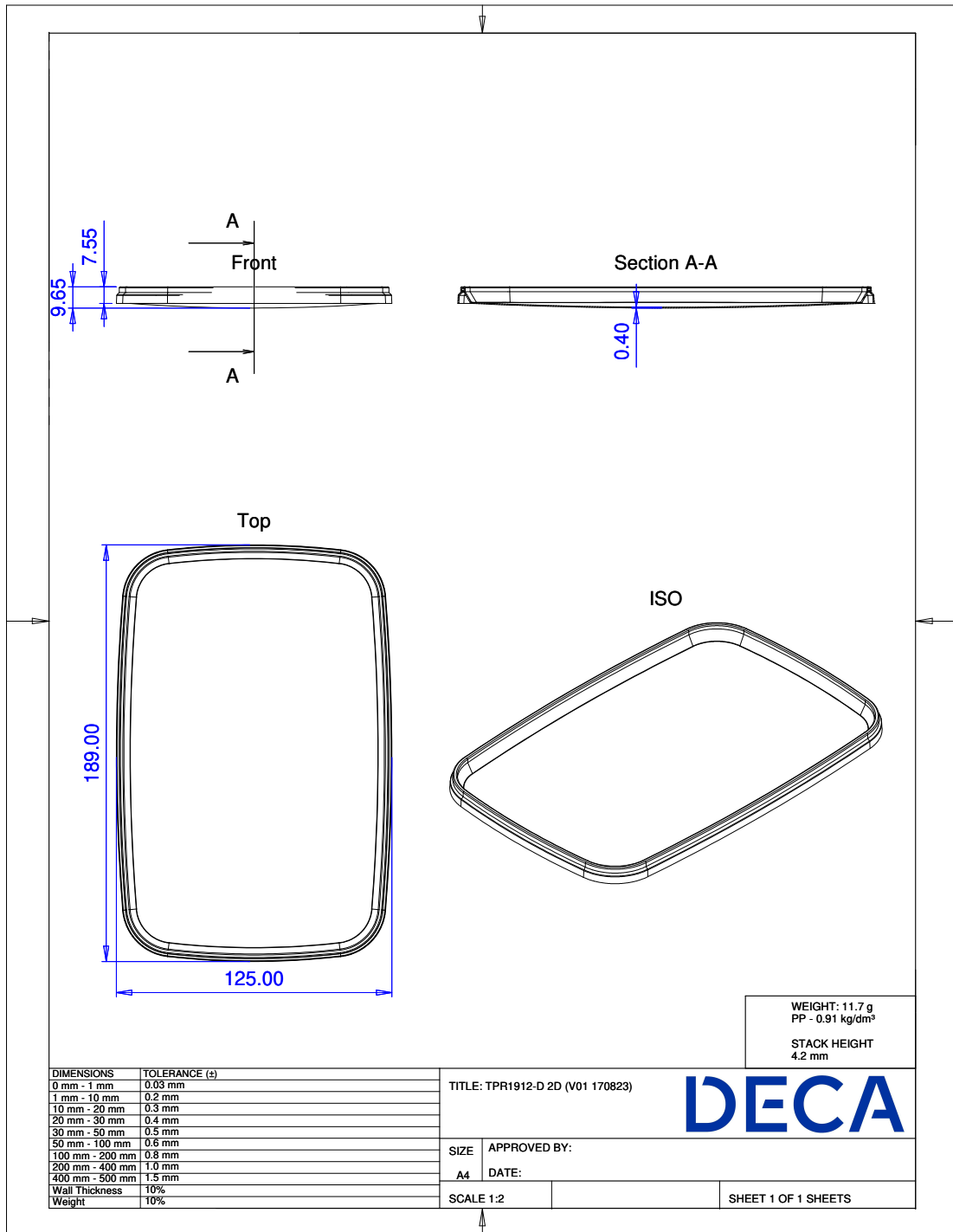
## Packaging

Primary:	Blue bag for TP/TPS/Tray/Neutral box # in primary packaging: 900 pieces
Secondary:	# primary in secondary packaging: 1 piece Weight gross: 15050,8 gr
Tertiary:	Europallet, 150x1200x800 # in tertiary packaging: 24 boxes = 21.600 pieces Weight gross: 381.219,2 gr Standard height: 2.160 mm

## Uses / Certificates

Storage conditions:	Keep out of direct sunlight, keep dry, store in original closed packaging, at ambient temperature, relative humidity between 40 and 70%.
Expiration:	We recommend to use the products within 1 year after purchase. We can not be held responsible for use after this period.
Document retention:	3 years after purchase

All our products adhere to Regulation (EC) 1935/2004 and Regulation (EU) 10/2011 incl. amendments.



All our products adhere to Regulation (EC) 1935/2004 and Regulation (EU) 10/2011 incl. amendments.