

TP95-D - 25373

Round lid, transparent

Product specifications

| | |
|-----------|---------|
| Material: | PP |
| Volume: | |
| Weight: | 4,52 gr |
| Length: | |
| Width: | |
| Height: | 0,8 mm |



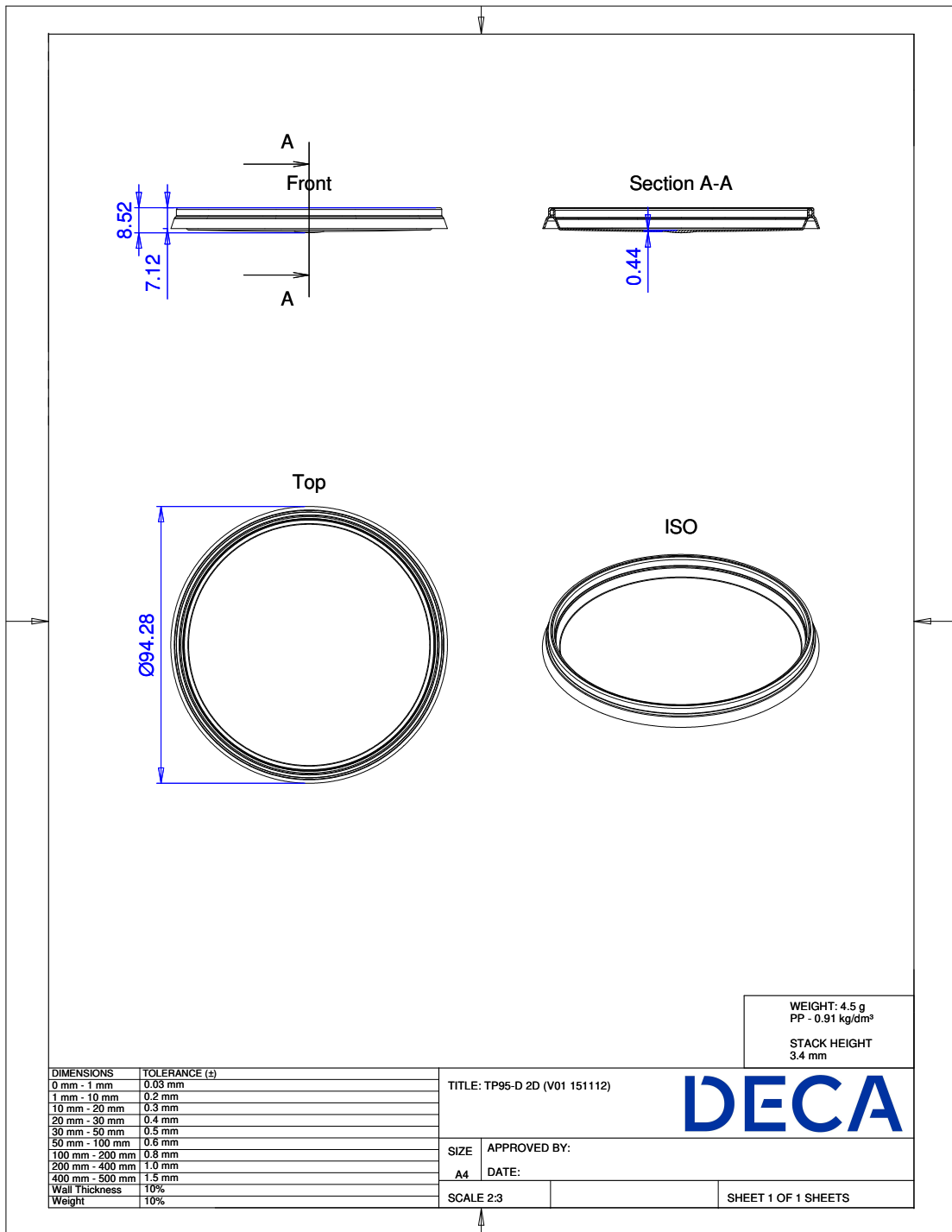
Packaging

| | |
|------------|--|
| Primary: | Blue bag for TP/TPS/Tray/Neutral box # in primary packaging: 2520 pieces |
| Secondary: | Carton Deca TP 585, 400x600x400 # primary in secondary packaging: 1 piece Weight gross: 12371,2 gr |
| Tertiary: | Europallet, 150x1200x800 # in tertiary packaging: 20 boxes = 50.400 pieces Weight gross: 267.424 gr Standard height: 2.075 mm |

Uses / Certificates

| | |
|---------------------|--|
| Storage conditions: | Keep out of direct sunlight, keep dry, store in original closed packaging, at ambient temperature, relative humidity between 40 and 70%. |
| Expiration: | We recommend to use the products within 1 year after purchase. We can not be held responsible for use after this period. |
| Document retention: | 3 years after purchase |

All our products adhere to Regulation (EC) 1935/2004 and Regulation (EU) 10/2011 incl. amendments.



All our products adhere to Regulation (EC) 1935/2004 and Regulation (EU) 10/2011 incl. amendments.